



Features

- Sleek light weight design
- 15.6" Full HD PCAP touch
- Socketed Intel® 12th Gen Alder Lake-PS Core™ i7/i5/i3 Processor
- 1 x COM, 2 x LAN, 1 x USB 2.0, 3 x USB 3.0, 1 x USB Type C
- 1 x M.2 Key B 3042/3052/2280, 1 x M.2 Key E for WIFI, 1 x M.2 Key M for storage
- Programmable LED light bar on both sides
- Optional Webcam/ WIFI/ NFC
- CE/FCC/Medical UL



Indicator For Alarms



User Friendly Design



Front IP65 Protection



Reliable COM Port Connection



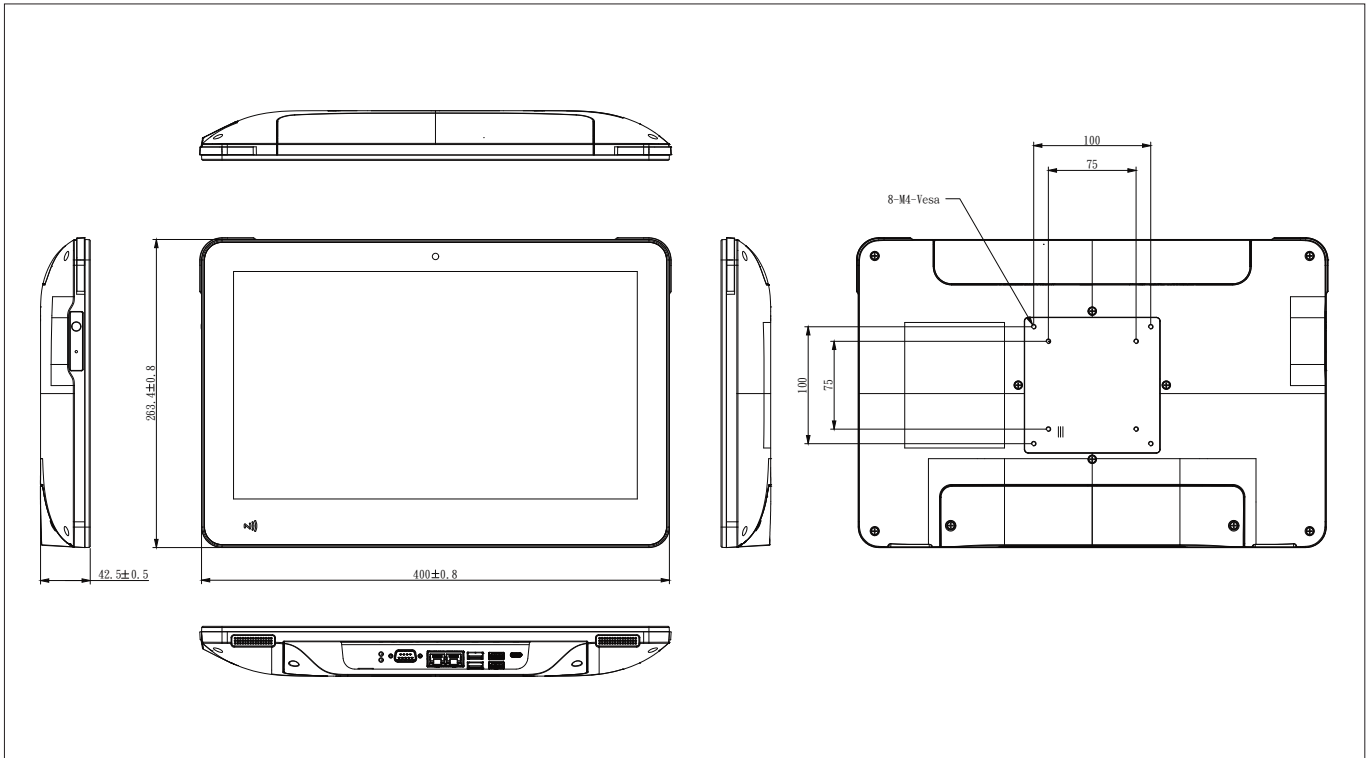
Infection Control

Specification

System Information	
SBC	HID-2340 mother board
Processor	12th Generation Intel® Core™ i7/i5/i3 Processor
System Memory	1 x 262-pin DDR5 4800MHz SO-DIMM socket, supports up to 32GB Max (Min 8GB)
I/O Chipset	IT5782VG
Watchdog Timer	H/W Reset, 1sec. - 65535sec./min.1sec. or 1min. step
H/W Status Monitor	CPU temperature monitoring voltage monitoring
TPM	Onboard NuvoTon NPCT754AADYX support TPM 2.0
Platform Controller Hub	Integrated in Processor (SOC)
Expansion	
Expansion	1 x M.2 Key B 3042/3052/2280 1 x M.2 Key E for WIFI
Storage	
Storage	1 x M.2 Key M 2280 (PCI-e x4 Gen4 x4) Or 1 x Key B 2242 (SATA)
Audio	
Audio Interface	Audio combo jack
Audio Codec	Realtek ALC888S
Speaker Output	2 x 5W
Ethernet	
LAN Chipset	1 x Intel® I225LM 1 x Intel® I226LM
Ethernet Interface	10/100/1000/2500 Base-Tx GbE compatible
LAN Port	2 x RJ-45
Power Requirement	
DC Input	+19V
Power Mode	AT/ATX (ATX is default setting)
DC Input Connector	Lockable DC Jack
Software Support	
OS	Win10 / Win11 / Linux
Certification	
Certification Information	CE (MDR): IEC/EN 60601-1(Safety), IEC/EN 60601-1-2 (EMC) IEC 60601-1-8 Compliance FCC: Part 15 Class B UL / cUL: IEC/EN/ANSI/AAMI 60601-1 CB Scheme: IEC/EN 62368-1 CCC

External I/O	
Wireless LAN	Optional 802.11abgn+acR2+axR2 Wi-Fi 6E BT5.2
Panel	
LCD Size	15.6"
Resolution	1920 x 1080
Luminance	250 cd/m ²
Display Type	Full HD
Pixel pitch	0.17925 x 0.17925mm
Contrast ratio	1000
Response time	25 ms
Viewing angle	89 (U), 89 (D), 89 (L), 89 (R)
Touch Type	Projective capacitive multi-touch up to 10 points
Touch Controller	USB touch (EETI)
Touch Light Transmission	85%
Backlight	LED
I/O	
USB Port	1 x USB 2.0, 3 x USB 3.0 1 x USB Type C
COM Port	1 x RS-232/422/485
Mechanical & Environmental	
Operating Temp.	0°C ~ 40°C (32°F ~ 104°F)
Storage Temp.	-30°C ~ 70°C (-22°F ~ 158°F)
Operating Humidity	0% ~ 90% Relative Humidity, Non-condensing
Dimension (W x L x H)	400 x 263 x 42.5mm
Weight	2.8 kg
VESA	75 x 75, 100 x 100
IP Rating	Front IP65 Back IPX1
Construction - Front	White Plastic
Construction - Rear	White Plastic
Vibration Test	With SSD/mSATA : 1.5Grms, IEC 60068-2-64, Random, 5 - 500Hz, 30min/axis
Shock Test	With CF/SSD : 10Grms, IEC 60068-2-27, Half Sine, 11ms
Color	White
System Fan	Fanless
Fanless	Yes
Finishing	Anti-Microbial
Component	
Adapter	Medical grade Input: 100-240V~, 2.0-1.0A, 50-60Hz Output: 19V 4.73A 90W

Mechanical Drawing



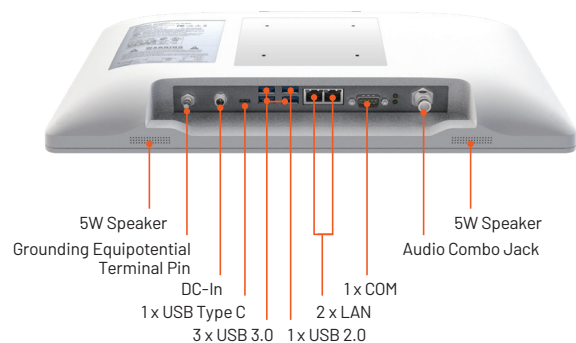
Ordering Information

P/N	Touch Type	Processor	Memory	Storage	Panel Size	Resolution	Brightness	I/O Ports (COM/USB/LAN)	Display Output	Power Input	Working Temp.
HID-1540-121-A1R	PCAP	i3-1215UL	8GB	N/A	15.6"	1920 x 1080	250 cd/m ²	1 COM/ 4 USB/ 2 LAN	USB Type C	+19V	0°C ~ 40°C (32°F ~ 104°F)
HID-1540-123-A1R	PCAP	i5-1235UL	8GB	N/A	15.6"	1920 x 1080	250 cd/m ²	1 COM/ 4 USB/ 2 LAN	USB Type C	+19V	0°C ~ 40°C (32°F ~ 104°F)
HID-1540-125-A1R	PCAP	i7-1255UL	8GB	N/A	15.6"	1920 x 1080	250 cd/m ²	1 COM/ 4 USB/ 2 LAN	USB Type C	+19V	0°C ~ 40°C (32°F ~ 104°F)

Packing List

Item	Quantity
HID-1540 Medical Panel PC	1
90W Medical Power Adapter	1

I/O Overview



Optional Items

Items	P/N
WiFi/BT Module Kit for HID-1540	E971XH11540003R
HID White Stand VESA 100 x 100/ 75 x 75	ACC-ARM-D41R
EU Power Cord	E170203183DR
US Power Cord	E1702031835R
JP Power Cord	E170203183BR
UK Power Cord	E170P060370R
AU Power Cord	E170P060392R