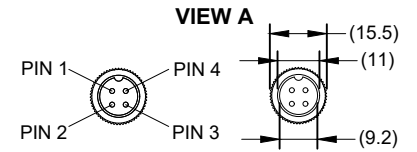
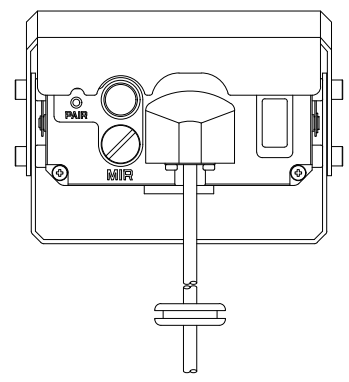
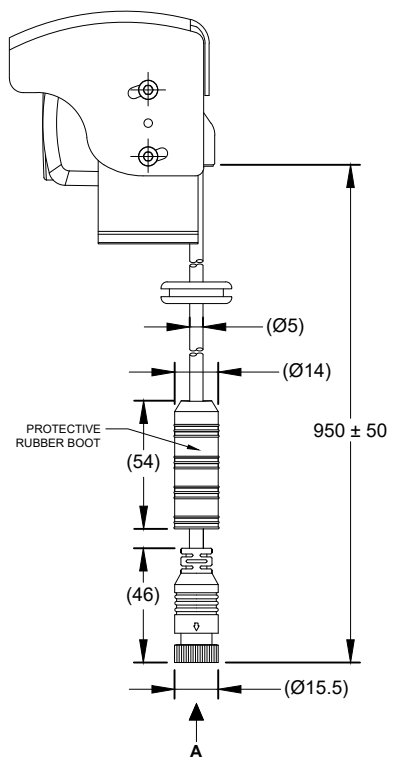
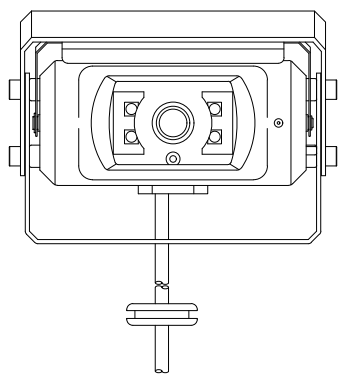
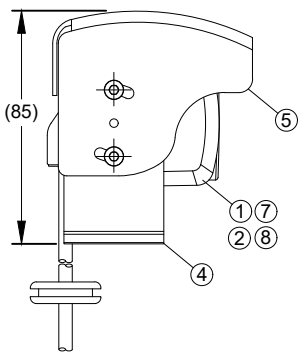
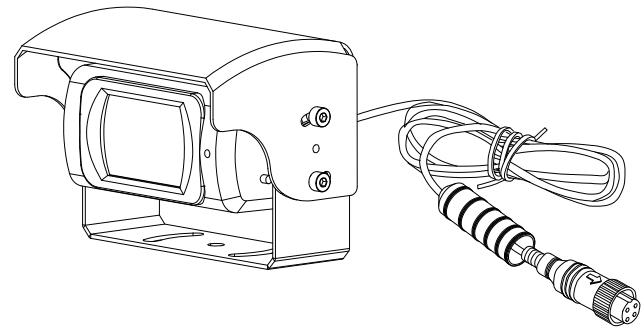
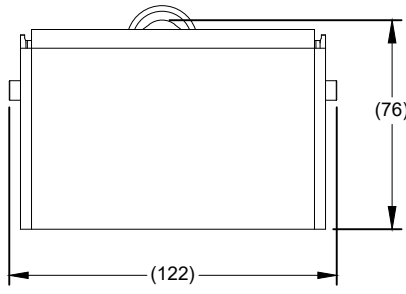


TABLE 1: VBV-71XXC CAMERA KIT OPTIONS		
PART NO.	MODEL NO.	DESCRIPTION
(8034)	VBV-7110C	SELECT AHD CAMERA, AUDIO, 25FPS
(8039)	VBV-7111C	SELECT AHD CAMERA, AUDIO, 30FPS
(8261)	VBV-7110C (W)	SELECT AHD CAMERA, AUDIO, 25FPS, WIDE ANGLE
(8263)	VBV-7111C (W)	SELECT AHD CAMERA, AUDIO, 30FPS, WIDE ANGLE

Revision Notes.				
R1 - UPDATED WITH MATRIX TABLE TO ADD VBV-711XC(W) AND CONTENTS TABLE UPDATED INTO NEW FRAME				
APA: T.HU	Drawn:R.TIMMS	Checked:A.KING	Approved:J.N.BATOUR	Date: 4.3.2025



PIN #	WIRE COLOUR	DESCRIPTION
1	RED	+12V
2	BLACK/SHIELD	GND
3	WHITE	AUDIO
4	YELLOW	VIDEO

- NOTES:**
- FOR PACKAGING AND LABELLING DETAIL REFER TO MASTER BOM.
 - ANY CUSTOMER MODIFICATIONS OF THIS PRODUCT CAUSING SUBSEQUENT FAILURE IS NOT A RESPONSIBILITY OF BRIGADE.
 - PURCHASE ORDER TO DEFINE PACKAGING VARIANT.
 - REFER TO PRODUCT SPECIFICATION FOR PRODUCT SPECIFICATIONS.
 - REFER TO COMPONENT DRAWINGS FOR COMPONENT DETAILS.
 - CONNECTOR A IS BLACK.

PROPRIETARY NOTICE
 THIS DESIGN AND TECHNICAL INFORMATION APPEARING ON THIS DRAWING IS THE PROPERTY OF BRIGADE ELECTRONICS, AND IS DISCLOSED IN CONFIDENCE. IT IS NOT TO BE COPIED, REPRODUCED, REVEALED TO OR EXPROPRIATED BY OTHERS, EITHER IN WHOLE OR IN PART WITHOUT THE EXPRESS WRITTEN CONSENT OF BRIGADE ELECTRONICS.


Sheet 1 of 2	Assembly Pl Approval W.XIA (16/07/2024)	Approved by A.KEBEDE	Checked by S.LAWAL	Drawn by J.YU
Customer Approval -	Angle of Projection Third Angle	Units mm	Scale N/A	Released 23/08/2024
 brigade-electronics.com		Status RELEASED	VBV-711XCXX	
		Part No VARIOUS	BE-004934-01-24	

TABLE 2: CAMERA KIT CONTENTS

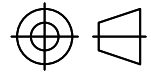
ITEM	①	②	③	④	⑤	⑥	⑦	⑧
PART NO.	8035	8040	8058	3656	3657A	3658	8262	8264
MODEL NO.	VBV-7110C-C	VBV-7111C-C	VBV-711XC(X)-IG	VBV-71XC-BKT	VBV-71XC-SS	VBV-71XC-FIX	VBV-7110C-C (W)	VBV-7111C-C (W)
DESCRIPTION	Select AHD Shutter Camera, Audio, 25fps - Camera Only	Select AHD Shutter Camera, Audio, 30fps - Camera Only	VBV-711XC(X) SERIES INSTALLATION GUIDE (NOT SHOWN)	CAMERA BRACKET	CAMERA SUNSHIELD	CAMERA FIXING KIT (NOT SHOWN)	Select AHD Shutter Camera, Audio, 25fps - Wide Angle Camera Only	Select AHD Shutter Camera, Audio, 30fps - Wide Angle Camera Only
VBV-7110C	QTY.	1	-	1	1	1	-	-
VBV-7111C	QTY.	-	1	-	-	-	-	-
VBV-7110C (W)	QTY.	-	-	1	1	1	1	-
VBV-7110C (W)	QTY.	-	-	-	-	-	-	1

NOTES:

- FOR PACKAGING AND LABELLING DETAIL REFER TO MASTER BOM.
- ANY CUSTOMER MODIFICATIONS OF THIS PRODUCT CAUSING SUBSEQUENT FAILURE IS NOT A RESPONSIBILITY OF BRIGADE.
- PURCHASE ORDER TO DEFINE PACKAGING VARIANT.
- REFER TO PRODUCT SPECIFICATION FOR PRODUCT SPECIFICATIONS.
- REFER TO COMPONENT DRAWINGS FOR COMPONENT DETAILS.
- CONNECTOR A IS BLACK.

PROPRIETARY NOTICE

THIS DESIGN AND TECHNICAL INFORMATION APPEARING ON THIS DRAWING IS THE PROPERTY OF BRIGADE ELECTRONICS, AND IS DISCLOSED IN CONFIDENCE. IT IS NOT TO BE COPIED, REPRODUCED, REVEALED TO OR EXPROPRIATED BY OTHERS, EITHER IN WHOLE OR IN PART WITHOUT THE EXPRESS WRITTEN CONSENT OF BRIGADE ELECTRONICS.

Sheet 2 of 2	Assembly Pl Approval W.XIA (16/07/2024)	Approved by A.KEBEDE	Checked by S.LAWAL	Drawn by J.YU
Customer Approval -	Angle of Projection  Third Angle	Units mm	Scale N/A	Released 23/08/2024
Status RELEASED		VBV-711XCXX		
Part No VARIOUS		BE-004934-01-24		