



50x50x15mm

- Airflow: 12.0~17.1 CFM
- Static Pressure: 2.0~4.4 mm-H₂O
- Blade / Housing: Plastic Material UL 94V-0 P.B.T.
- Lead Wire: UL1007 #26 AWG
- Weight: 27 g

Model No.	Bearing	Rated Voltage VDC	Operating Voltage Range VDC	Speed RPM	Max. Airflow CFM	Max. Static Pressure mm-H ₂ O	Current mA	Power Consumption W	Life at 40°C L10 Hour	P-Q Curve	Noise Level dB(A)
FD055015LB	2B	05	4~5.5	3800	12.0	2.0	180	0.90	80000	4	24.5
FD055015MB	2B		4~5.5	4500	13.1	3.2	250	1.25	80000	3	29.5
FD055015HB	2B		4~5.5	5000	15.5	3.6	285	1.43	75000	2	31.5
FD125015LB	2B	12	7~13.2	3800	12.0	2.0	85	1.02	80000	4	24.5
FD125015MB	2B		7~13.2	4500	13.1	3.2	130	1.56	80000	3	30.0
FD125015HB	2B		7~13.2	5000	15.5	3.6	170	2.04	75000	2	31.5
FD125015EB	2B		7~13.2	5500	17.1	4.4	220	2.64	65000	1	36.5
FD245015LB	2B	24	12~26.4	3800	12.0	2.0	70	1.68	80000	4	24.5
FD245015MB	2B		12~26.4	4500	13.1	3.2	80	1.92	80000	3	30.0
FD245015HB	2B		12~26.4	5000	15.5	3.6	90	2.16	75000	2	31.5
FD245015EB	2B		12~26.4	5500	17.1	4.4	110	2.64	65000	1	36.5

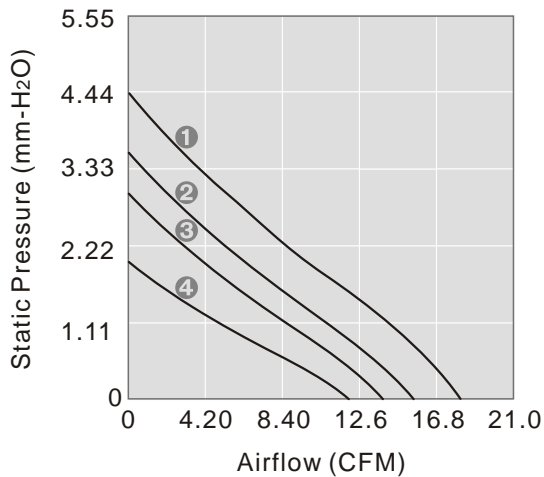
2B: 2-ball bearing L: sintetico bearing S: sleeve bearing

Voltage Available
05 12 24 48

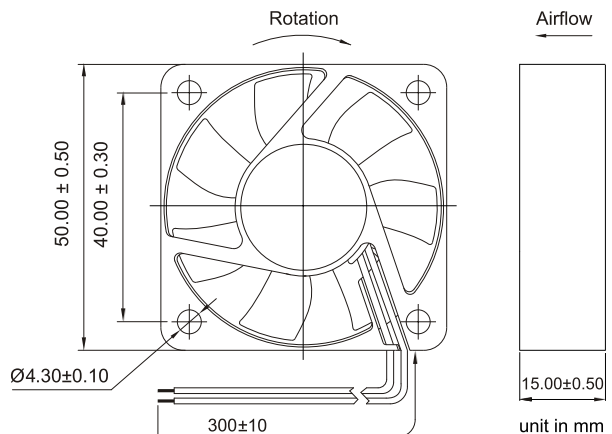
Bearing System Available
2B L S

Function Available
N A I F R Q S T M V C P D W U

PERFORMANCE P-Q CURVE



OUTLINE DIMENSIONS



Please refer to Model Numbering System for bearing, function and speed level indication. Specifications are subject to changes without notice. Please refer to the formally issued product specification via contacting Y.S. TECH sales department. Visit Y.S. TECH web site at <http://www.ystech.com.tw> for updated information. Customized Specifications are designed accordingly